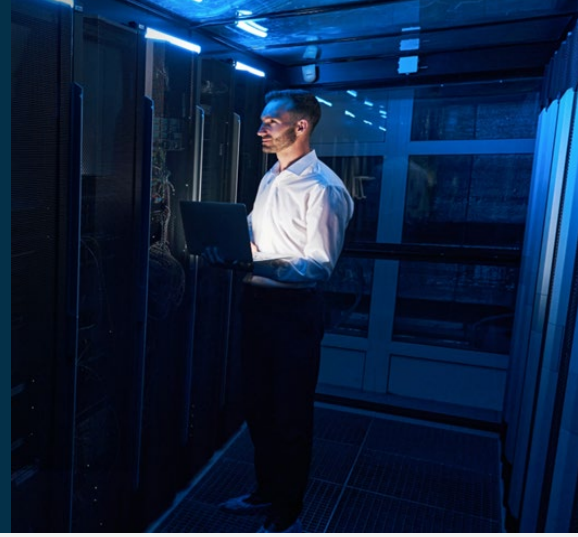




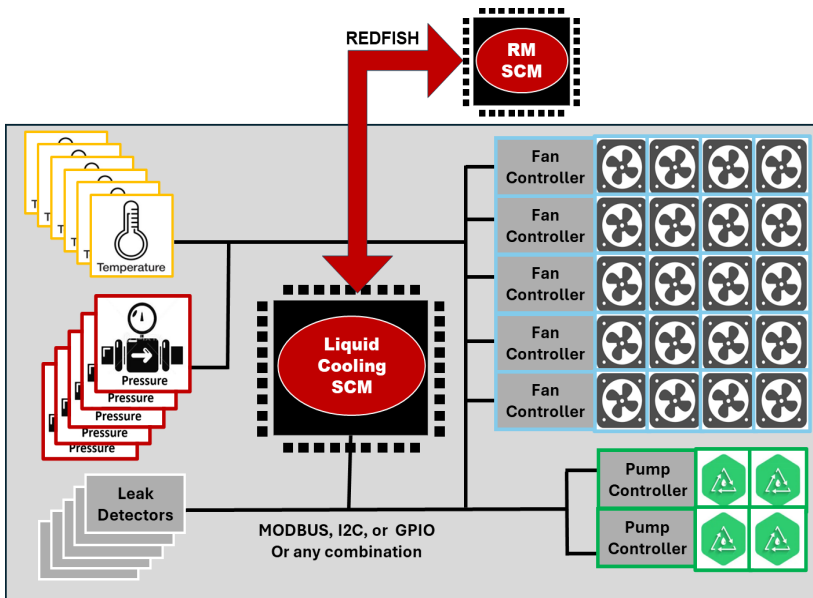
Mg MegaRAC OneTree™

Liquid Cooling SCM Firmware



Overview

Liquid Cooling SCM Firmware (LC-SCM) is a robust, secure, and scalable firmware solution to control and manage cooling equipment targeted for data centers, AI factories, and high-performance computing (HPC) environments leveraging AMI's MegaRAC OneTree™ BMC firmware ecosystem for flexibility, customization, and integration with existing data center management implementations. By implementing standard Redfish® interfaces for SCM interfacing, and MODBUS, I2C, or GPIO-interfacing for low level detection and controls, it can work seamlessly within existing data center management systems.



Key Features

- ✓ Reusable core BMC services
 - OpenBMC™-based
- ✓ Simplified sensor creation
- ✓ Redfish support for DMTF Liquid Cooling schemas:
 - Pumps
 - Filters
 - Leak Detectors
 - Temperature
 - Control
- ✓ Inventory Tracking
- ✓ Health Monitoring
- ✓ Flexible Hardware Communication
 - Modbus Server (TCP/RTU)
 - Modbus Client (TCP/RTU)
 - I2C / SMBus
 - GPIO
 - OEM Proprietary
- ✓ Backend D-Bus Services
 - CDU Manager - Redfish
 - CDU Control – Fan/Pump PID-based
- ✓ Secure Firmware Update
- ✓ Alerts and Logging Support