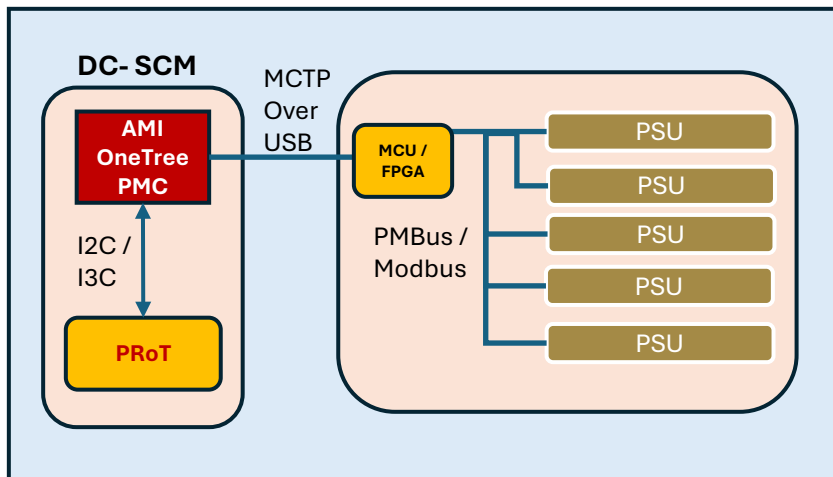
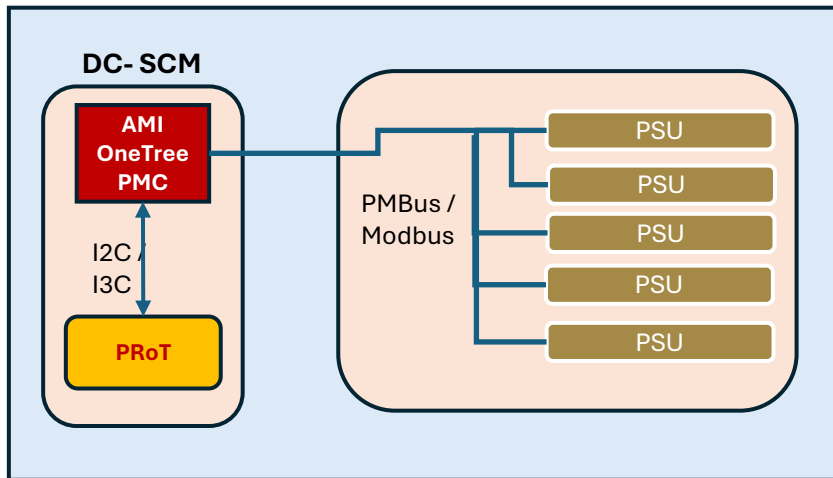




# Power Shelf Management

## Secured Power Shelf Management

This robust, secure, and scalable firmware solution can control and manage Power Shelf equipment targeted for Cloud, AI, and HPC computing environments. Developed on AMI's MegaRAC OneTree™ architecture, the manageability stack provides flexibility and easy integration with existing data center management solutions.



## Key Features

- Built on top of AMI's MegaRAC OneTree Manageability solution
- Easy Sensor Creation
  - ✓ Using AMI's new APISensor reactor
- Redfish® Support for Standard DMTF Power Equipment and Power Subsystem Schemas
  - ✓ Power Supply
  - ✓ Power Shelf
  - ✓ Power Equipment
- Inventory Tracking
  - ✓ Power Supply
  - ✓ Power Shelf
- Health Monitoring
- Flexible Hardware Communication
  - ✓ I2C / PMBus
  - ✓ Modbus
- Secure Firmware Update
  - ✓ PS-SCM controller
  - ✓ PSU
- Alert & Logging Support
- Power-Shelf Failsafe
- Remote control of PSU operations
- Remote setting of PSU Fan Duty cycle support
- Power Break